

CHAIN BLOCK Z100/0,25T-10 T

Chain block Z100 – lifting capacity **0,25t – 10t**

Characteristics:

- robust, heavy-duty and purposeful construction with safety elements corresponding with the **Directive 2006/42/EC**
- simply operated
- minimum maintenance demands
- up to 10t choice of lift length from 3-12m (longer lifts must be consulted with producer)
- also in variant for explosion hazard environment (marking NEXP)
- can be equipped with collecting basket for load chain

Use:

- for lifting and lowering of loads in places without any other source of energy or where the manual use is economically favourable
- as a backup for workplace where is necessary to provide the manipulation with the load when power fails
- as a service hoist for installation and maintenance work
- variant NEXP – for explosion hazard environment for groups I M2c; II 2GDcT85°
- corresponding with the Directive of European parliament and Council 94/9/EC

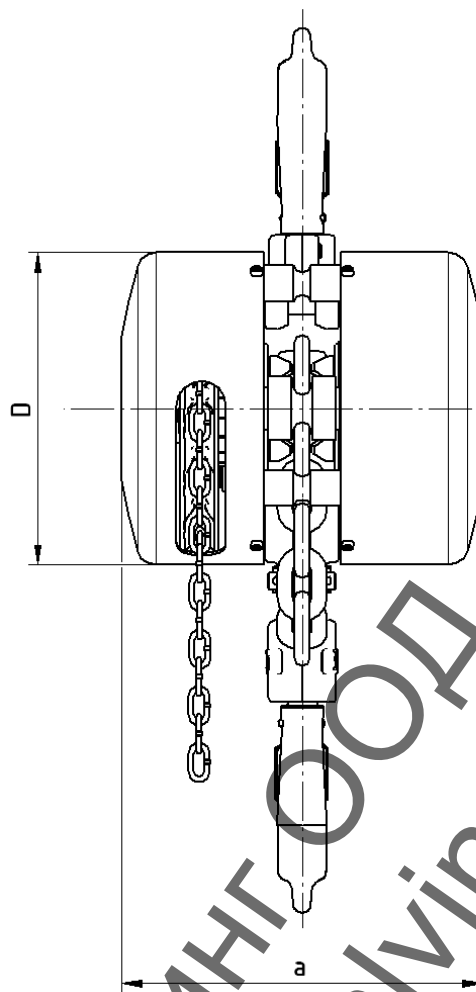
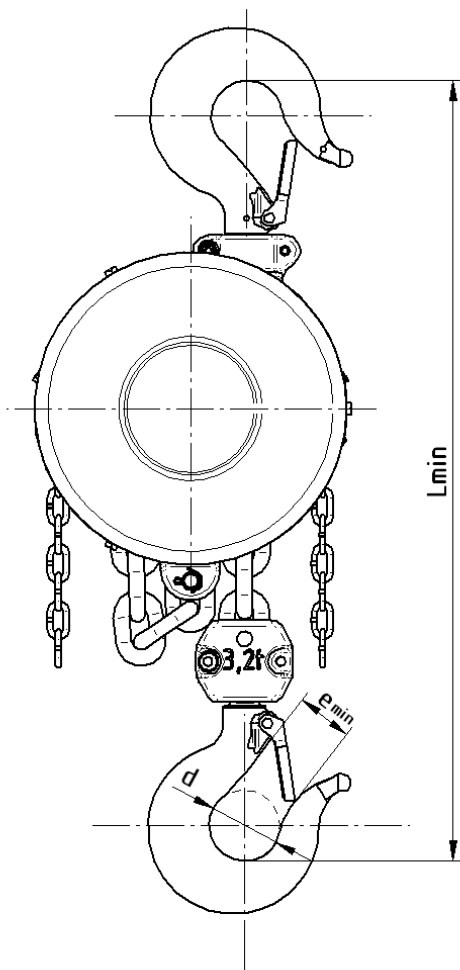


Type	Lifting capacity (t)	Number of falls	Load chain	Hand chain	Operating force (N)	Lifting speed * (m/min)	Main dimension (mm)					Weight (kg)
							a	d	D	e (min)	L (min)	
Z100	0,25	1	Ø 3,1 x 9,3	Ø 3 x 14,3	270	2	120	30	80	18,5	255	4,4
	0,5		Ø 5 x 15		300	1,10	165	30	115	18,5	250	8,5
	1		Ø 7 x 21		350	0,70	180	36	136	23,5	330	14,1
	1,6		Ø 9 x 27		320	0,36	220	43	198	29,5	410	24
	3,2	2	Ø 11 x 31	Ø 4 x 20	400	0,29	254	220	50	35,5	510	37,4
	5				56	39,5			655	52,3		
	7,5				56	43			875	70		
	10				63	47			1000	85		

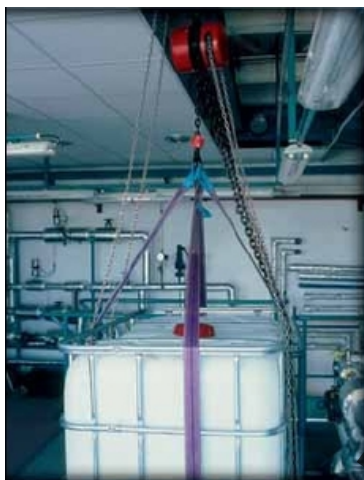
* calculated on presumption of winding off 30m of the hand chain per minute

**Chain block type
Z100/250kg – replaces**

older type Z110



Examples of use:



DOWNLOADABLE FILES

Operation manual – [Z100 – cz sk en de pl rus esp](#)

[EC Declaration of conformity – Z100](#)

Tel.: +420 553 632 303

E-mail: zz-info@brano.eu

[Go to page Contact](#)